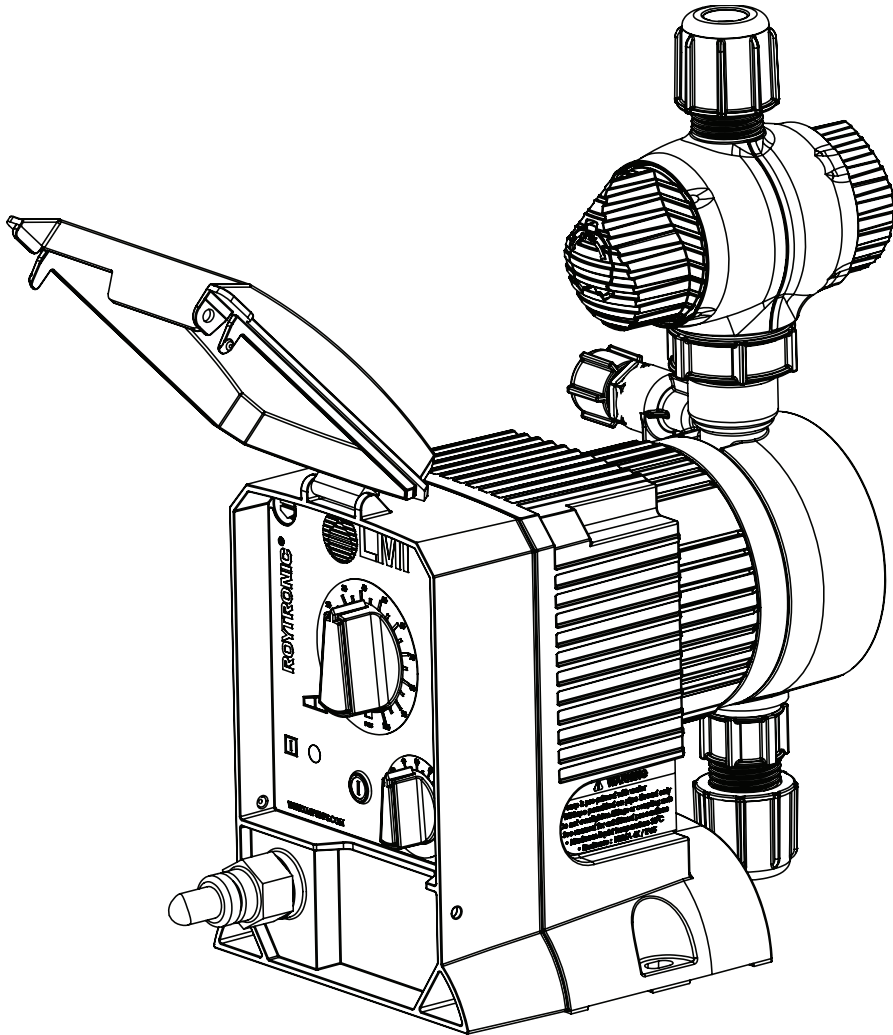




LMI[®]

an Accudyne Industries brand



ROYTRONIC[®] Series A

Electronic Metering Pump

Instruction Supplement

Manual No : 2051

Rev. : B

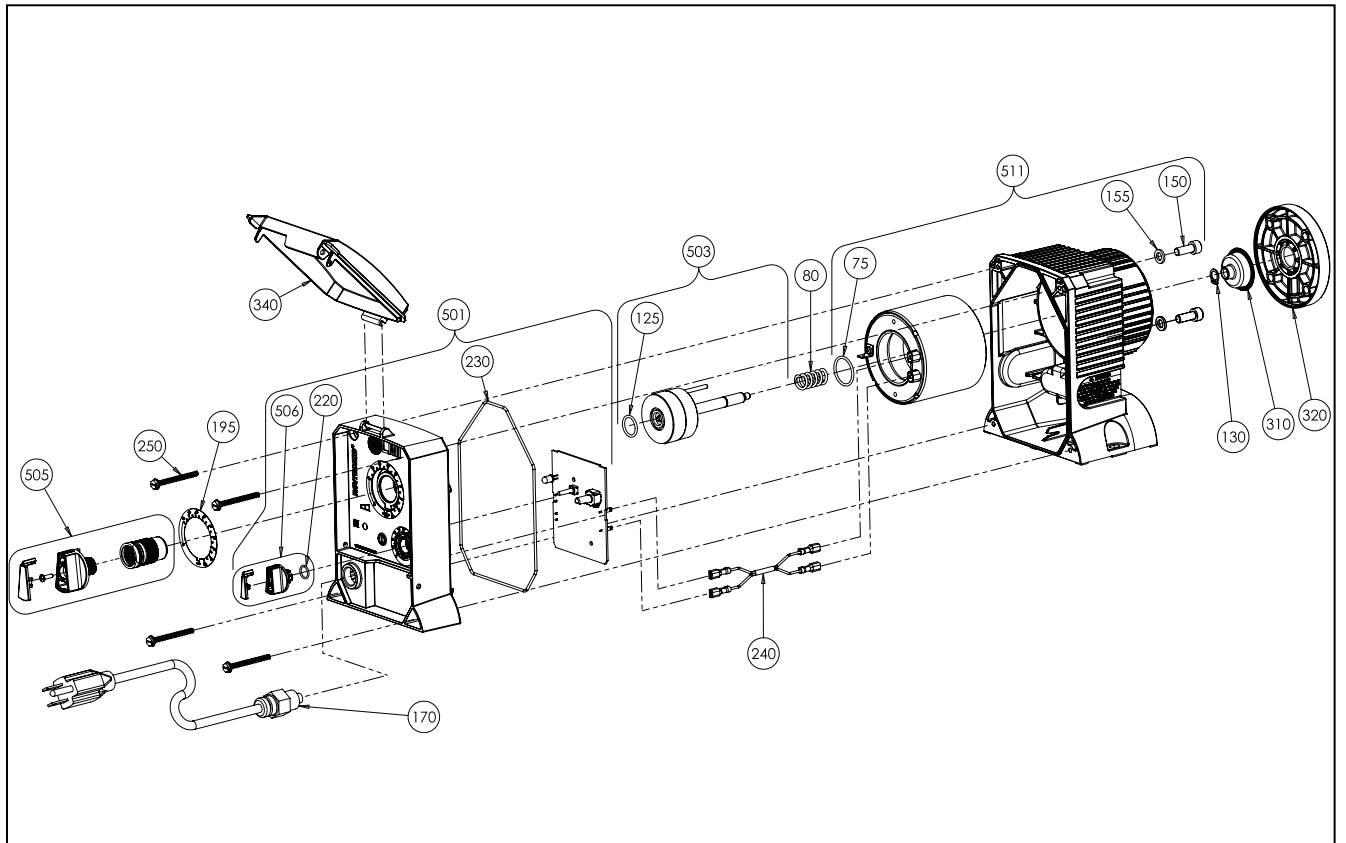
Rev. Date : 10/2015



LMI[®]

an Accudyne Industries brand

SERIES A DRIVE ASSEMBLY EXPLODED VIEW DIAGRAM



SERIES A DRIVE ASSEMBLY PARTS LIST

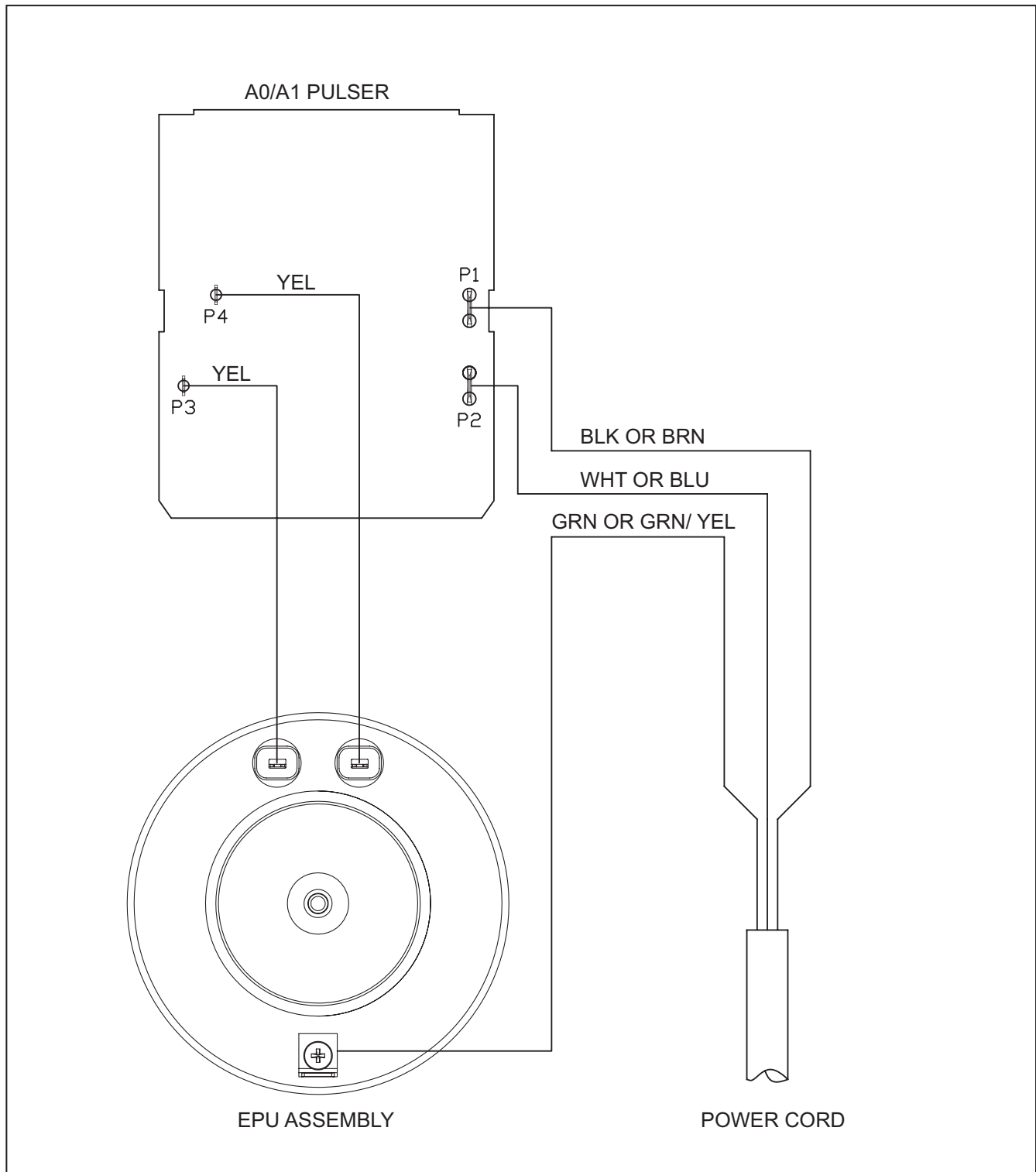
Key Number	Model Series	Part Number	Description	Quantity
75	A	48751	O-Ring	1
80	AX1, AX4	48327	Spring	1
	AX5	48328		1
	AX6	48329		1
125	A	48750	O-Ring	1
130	A	48313	Retaining Ring	1
150	A	48249	Screw	2
155	A	48310	Washer	2
170	AXX1	48231	Power Cord Asm	1
	AXX2	48232		1
	AXX3	48233		1
	AXX5	48235		1
	AXX6	48236		1
	AXX7	48237		1
	AXX8	48238		1
195	AX6	48528	Stroke Dial	1
220	A1, A7, A8	48308	O-Ring	1
230	A	48166	O-Ring	1
240	A	48460	Wire Harness	1
250	A	41227	Screw	4
310	A	48158	Shaft Seal	1
320	AX1, AX4	48167	Adapter Disk	1
	AX5	48168		1
	AX6	48169		1
340	A	48165	Clear Cover	1
501	A14, A15, A16	48659	Control Panel Asm	1
	A74, A75, A76	48661		1
	A84, A85, A86	48662		1
	A11	48688		1
	A71	48690		1
	A81	48693		1
503	AX1, AX4	48534	Plunger Asm	1
	AX5, AX6	48535		1
505	A	48656	Stroke Knob Asm	1
506	A1, A7, A8	48657	Speed Knob Asm	1
511	AXX1, AXX8	49031	Housing and Pole Piece Asm	1
	AXX2, AXX3, AXX5, AXX6, AXX7	49032		1

EPU RESISTANCE CHART

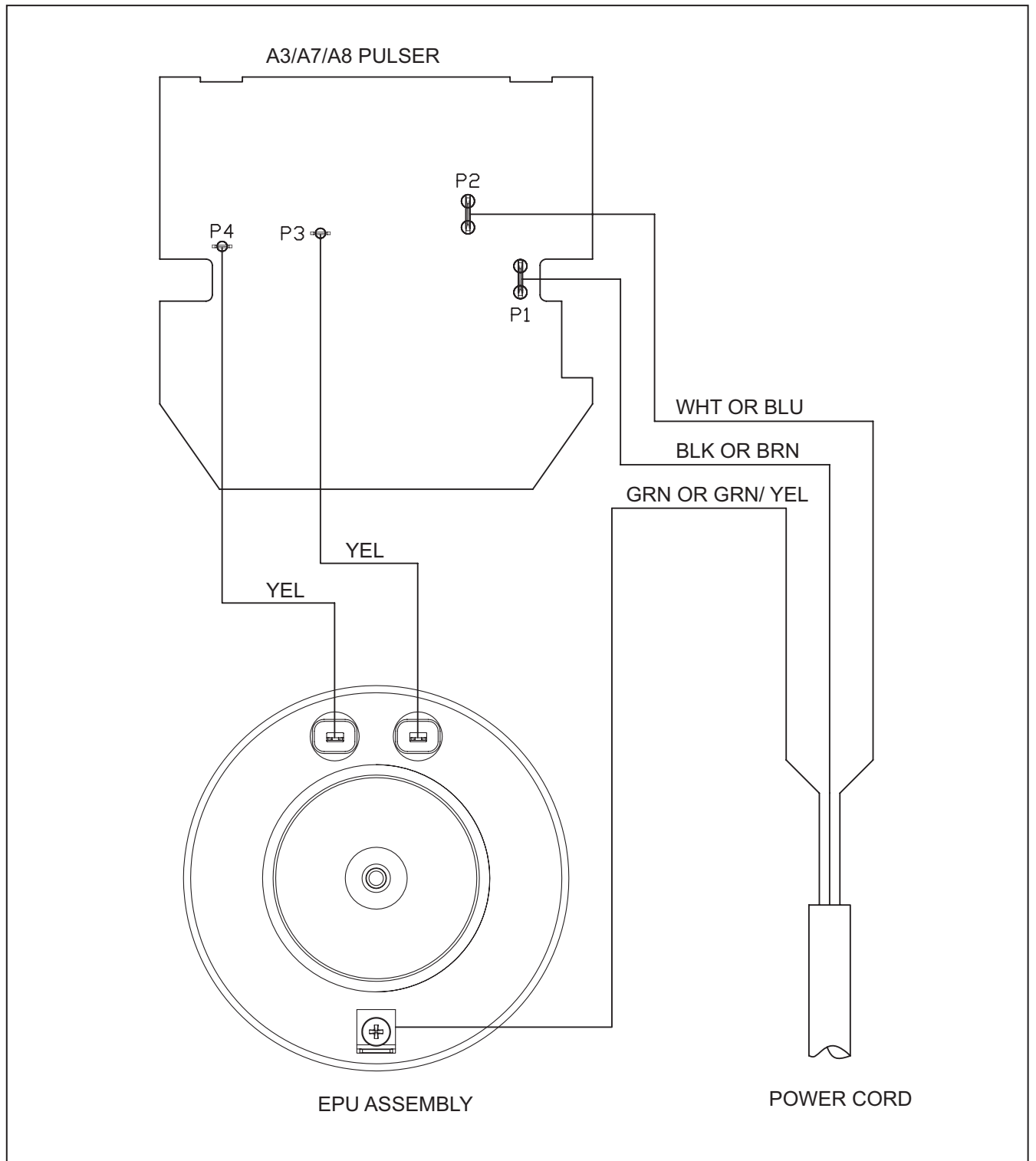
Model	EPU Resistance(Ohms) @ 20° C (68° F)*
AXX1, AXX8	122-140
AXX2, AXX3, AXX5, AXX6, AXX7	478-550

* Let pump cool down for a minimum of 6 hours before checking the resistance, or else resistance measurements will be artificially high.

SERIES A0/A1 WIRING DIAGRAM



SERIES A3/A7/A8 WIRING DIAGRAM



We are a proud member of Accudyne Industries, a leading global provider of precision-engineered, process-critical, and technologically advanced flow control systems and industrial compressors. Delivering consistently high levels of performance, we enable customers in the most important industries and harshest environments around the world to accomplish their missions.



LMI® is a registered trademark of Milton Roy, LLC.
© 2011, 2015 Milton Roy, LLC.
Specification to change without notice.

info@lmipumps.com
www.lmipumps.com

